

Slide-in clamp I Series MES

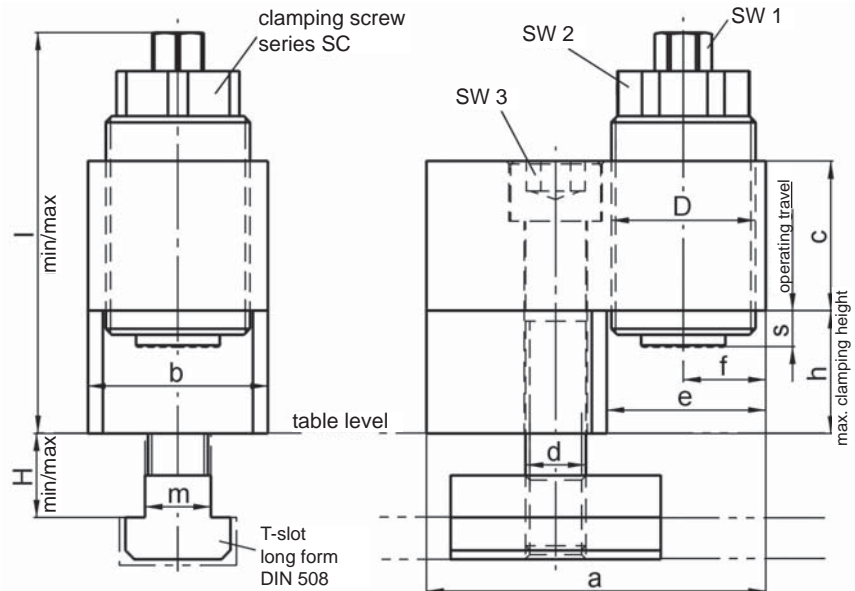
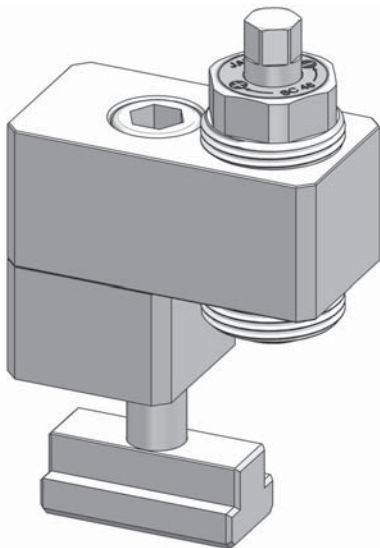
- versatile application - flexible, rotatable head piece
- simple, manual operation - high clamping forces

The mechanical slide-in clamp of series "MES" is a combination of a T-slot slide-in unit with a mechanical clamping screw of series "SC". This flexible and sturdy clamping element represents a cost-effective alternative to semi or fully automatic clamping systems, mainly for tool clamping on presses and punches. The quick tightening of the socket head cap bolt completes this step. The feed of the clamping screw until solid contact of all clamping surfaces is the next step. Only the hexagon of the actuation spindle should be turned clockwise to generate the clamping force. The bracket with clamping screw and distance plate can be screwed down without T-slot fixtures directly on supporting tables. The MES can be used as a limit stop too.

Technical data: (dimensions in mm)

MES Size	nominal clamping force [kN]	max. tightening torque [Nm]	max. clamping stroke [mm]	max. static load [kN]	max. adjusting path "s"	weight ca. [kg]	T-slot* DIN 650 m	H min/max
30	30	35	1,5	60	22	3	18 22	16 / 24 20 / 29
60	60	80	2,2	120	25	5	22 28	20 / 29 26 / 36
100	100	130	2,5	200	35	8	28 36	26 / 36 34 / 46

* further T-slot dimensions on request.



Dimensions:

MES Size	a	b	c	d (Q12,9)	thread D	e	f	clamping height*		L		SW1	SW2	SW3
								min	max	min	max			
30 - 30								8	- 30	100	- 120			
30 - 50	90	50	40	M 16	M 36 x3	40	21	28	- 50	120	- 142	13	30	14
30 - 70								48	- 70	140	- 162			
60 - 40								15	- 40	125	- 150			
60 - 60	113	60	50	M 20	M 45 x3	53	28	35	- 60	145	- 170	17	14	17
60 - 80								55	- 80	165	- 190			
100 - 50	150	80	60	M 24	M 64 x4	70	37	15	- 50	145	- 180	19	55	19
100 - 80								45	- 80	175	- 210			

Standard range for clamping height "h", special clamping heights on request

Ordering example: MES 60 - 40 - 22

Series _____
 Size (nominal force 60 kN) _____
 clamping height h (clamping range approx. 15 - 40 mm) _____
 T-slot size according to DIN 650 (Dimension "m" = 22 mm) _____

