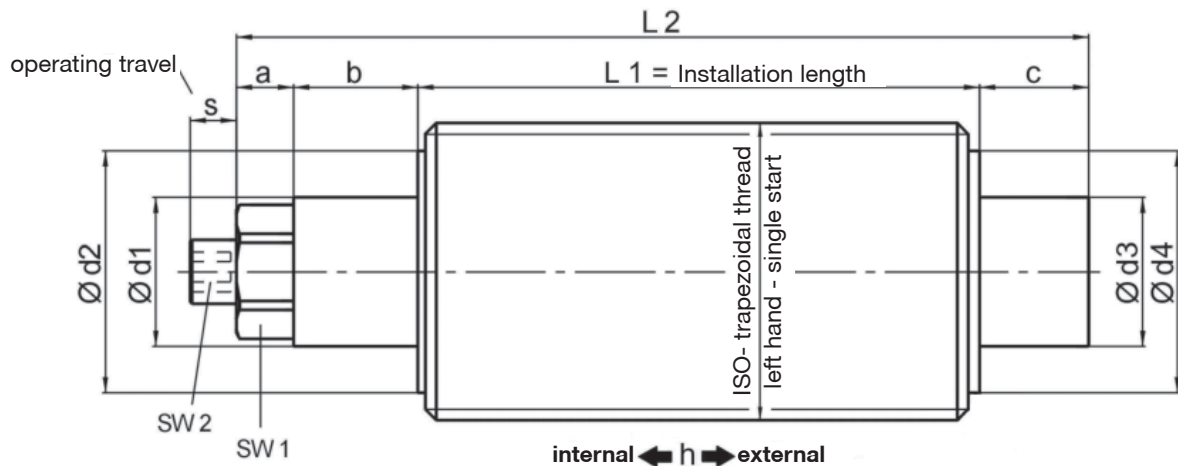


Mechanical Power clamping screws I Series MSP/MSPD

Series MSP - Mechanical power clamping screw for clamping direction “ external ”

Series MSPD - Mechanical power clamping screw for two clamping directions “ internal and external ”



Material:
heat treated steel nitro carbonized

Technical data and dimensions [mm]: length dimensions according to DIN ISO 2768 mH

MSP/MSPD	Size	65	80	100	120	160	200
ISO-trapezoidal thread	left	TR 65x4	TR 80x5	TR 100x6	TR 120x6	TR 160x8	TR 200x10
nominal clamping force	external	150	200	250	300	400	500
	internal	100	140	180	220	300	400
nominal actuation torque	[Nm]	80	100	130	160	160	180
max. static load	[kN]	250	300	400	600	800	1200
stroke h	[mm]	2,5	3	3	3	3	3
operating travel s	[mm]	15	17	17	17	25	27
hexagon	external SW 1	41	46	50	55	65	85
	Internal SW 2	12	14	14	17	17	17
a		20	20	25	25	30	40
b / c		35	40	50	60	70	80
Ø d1 / d3 f7		45 / 40	50	60	65	80	100
Ø d2 / d4		55 / 52	68	85	95	130	160
MSPD - L1 min.		170	230	250	280	330	360
MSPD - L2 min.		260	330	375	425	500	560
MSP - L1 min.		150	210	220	250	290	320
MSP - L2 min.		240	310	345	395	460	520

Notice: Special thread sizes or customized dimensions are possible on request.
Sizes 120 / 160 / 200 are also available with stronger clamping force amplifier.

Ordering example: MSPD 100 - TR 100 x 6 - lh - L1 = 300 mm