



# Metal Bellows Coupling I Series KGH

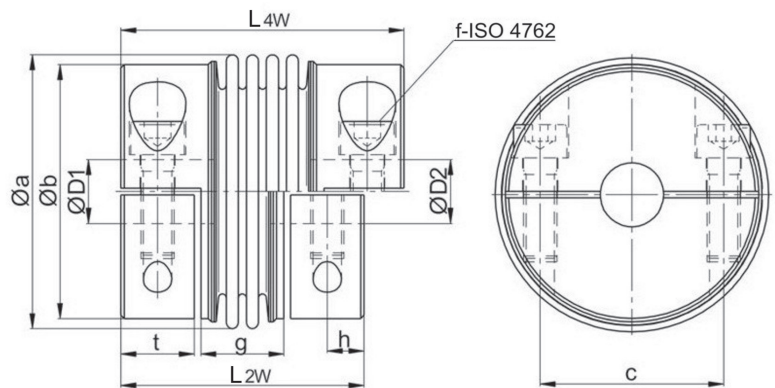
- /// simple installation - split-hub design
- /// backlash free - torsionally stiff // wear and maintenance free
- /// variable length // all-steel-version // up to 350°C

technical data:

KGH size	T <sub>N</sub> [Nm]	moment of inertia [10 <sup>-3</sup> kgm <sup>2</sup> ]	torsional stiffness [Nm/arcmin]		max. shaft misalignment [mm]				axial spring rate [N/mm]		lateral spring rate [N/mm]		mass approx. [kg]
			2W	4W	axial±		lateral		2W	4W	2W	4W	
					2W	4W	2W	4W					
20	20	0,045	6	3,4	0,3	0,5	0,1	0,15	100	55	2100	360	0,25
40	40	0,2	9	16	0,3	0,6	0,1	0,2	130	70	2500	450	0,6
80	80	0,5	26	14	0,3	0,6	0,1	0,2	120	70	3500	600	0,9
140	140	0,8	32	20	0,3	0,6	0,1	0,2	110	210	1200	7000	1,25
220	220	1,4	50	28	0,4	0,7	0,1	0,2	170	95	5000	1000	1,8
350	350	3,0	93	52	0,4	0,8	0,1	0,2	170	90	7000	1300	2,8
700	700	7,3	190	106	0,4	0,8	0,1	0,2	260	140	15000	2800	4,6
1800	1800	46	-	300	-	1	-	0,2	-	340	-	4700	15

maximum temperature range: -40°C up to +350°C

material: hubs: steel St 52  
bellows: stainless steel 1.4571 screws: ISO 4762 / 12.9



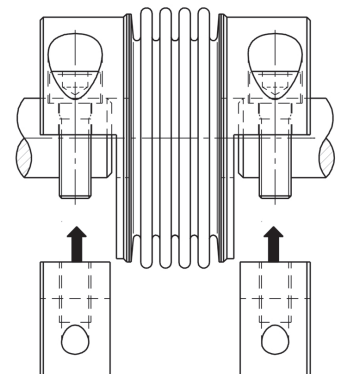
**note:** standard with 4-corrugation bellows (4W); alternative available with 2-corrugation bellows (2W; values in brackets). connection between bellows and hub by plasma welding

Dimensions [mm]: length dimensions according to DIN ISO 2768 cH

KGH	Øa	Øb	c	f-TA	g	h	L-2w	L-4w	t	ØD1/2min	ØD1/2max
20	40	38	25,5	M 5 - 10 Nm	22 (17)	6	(45)	50	12	8	19
40	56	51	36	M 6 - 16 Nm	32 (22)	7,5	(56)	66	15	12	28
80	66	62	45	M 8 - 40 Nm	32 (24)	8	(60)	68	16	14	35
140	71	71	54	M 8 - 40 Nm	33 (23)	8,5	(61)	71	17	14	42
220	82	76	55	M 10 - 80 Nm	37 (27)	11	(75)	85	22	20	42
350	101	89	64	M 12 - 135 Nm	40 (29)	13	(83)	94	24	22	48
700	122	108	78	M 14 - 200 Nm	47 (31)	15	(91)	107	27	35	62
1800	157	145	108	2x M 16 - 300 Nm	55 (-)	18 / 30	(-)	190	64	35	85

## Mounting Instructions:

The split-hub design allows for a easy assembly. Further simplification during installation is provided because one half of the split hub is put onto the shaft. This allows that the coupling can rest on the two shaft ends. The second half of the split hub can then be mounted to the coupling by screwing it on from below with the specified tightening torque. This feature makes "one man assembly" possible.



order example: KGH 220/4W - D1 = 24<sup>G7</sup> D2 = 30<sup>G7</sup>