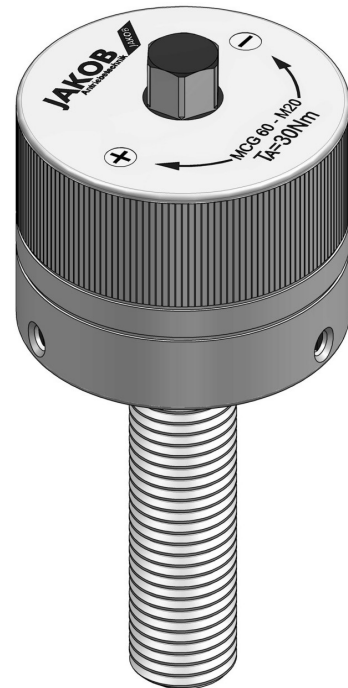
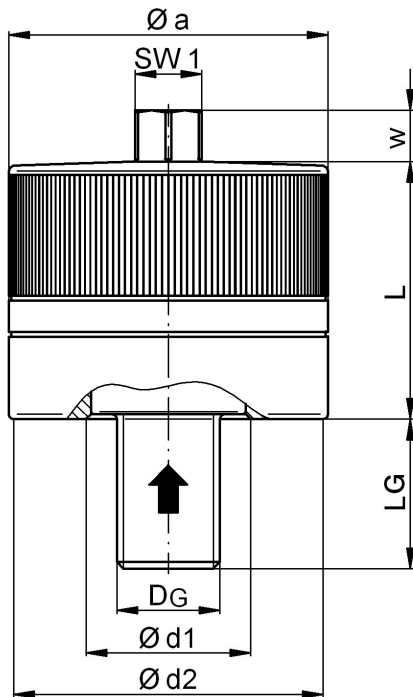


Mechanical Power Clamping Nut I Series MCG

with threaded pin / function as power clamping screw / centered operation / compact design



property class of threaded pin minimum 10.9

material:
stainless steel - nitrated

Technical data and dimensions [mm]: length dimensions according to DIN ISO 2768 mH

MCG Size	nominal clamping force [kN]	thread DG*	nominal actuation torque [Nm]	max. static load [kN]	weight approx. [kg]	Øa	Ød1	Ød2	L	SW 1	w
60	60	M 12	20	70	1	62	32	60	50	13	10
		M 16	25	120							
		M 20	30	120							
100	100	M 16	35	130	2	73	42	71	70	15	10
		M 20	40	200							
		M 24	45	200							
150	150	M 30	50	200	3	83	52	81	75	17	12
		M 24	60	300							
		M 30	70	300							
200	200	M 36	75	300	6	120	82	118	80	19	12
		M 42	80	300							
		M 36	120	400							
		M 42	125	450							
		M 48	130	450							
		M 56	140	500							
		M 64	150	500							

length of threaded pin L_G = variable (according to customer information)

*further thread sizes i.e. inches on request

max. allowed temperature range: -30°C up to +200°C

Ordering example:

clamping nut

MCG 100 - M 24 - $L_G=120$

series and size (max. clamping force = 100 kN)

thread size

thread length