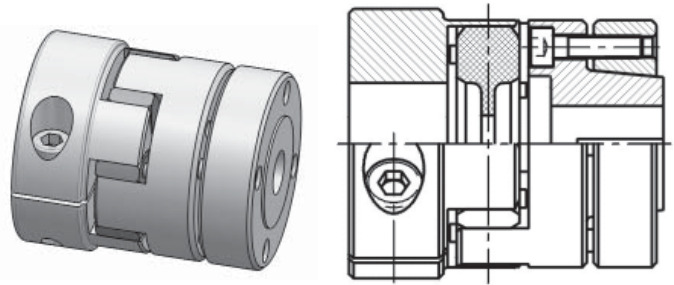


Elastomer couplings I further series

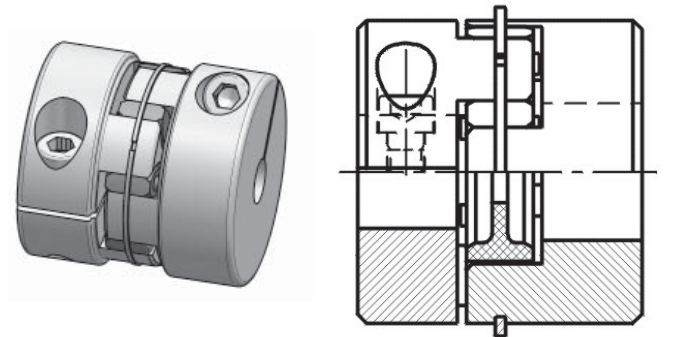
Combination EKM – ESM

- ✓ for connection of shafts with very different diameters
- ✓ to facilitate the assembly of shaft-hub-connections:
 - 1.) ESM - hub from inside
 - 2.) plug-in assembly - elastomer spider
 - 3.) EKM - hub radially from outside
- ✓ to achieve an fitting intermediate length



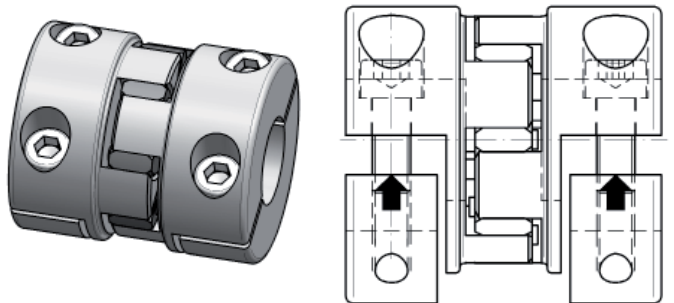
Axial stop design

- ✓ by additional snap ring at the periphery
- ✓ for taking up resp. supporting large axial forces
- ✓ nevertheless compensation of parallel and angular misalignment
- ✓ might also be used for easier mounting



Series EKH

- ✓ simple installation - splitted hub design
- ✓ can be combined with EKM - hub or rather ESM-A - hub
- ✓ mountable without disassembly of motor



Series EKS with expanding cone

- ✓ short design for hollow - shaft - assembly
- ✓ 7 sizes from 8 - 700 Nm
- ✓ variable conical shaft diameter
- ✓ data sheet on request or see homepage:
www.jakobantriebstechnik.de

