

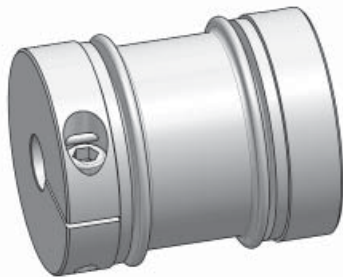
# Metal bellows coupling I Series KR

- /// straight bellows // simple installation with radial EASY-clamping hub
- /// low restoring forces // high torsional rigidity // long design

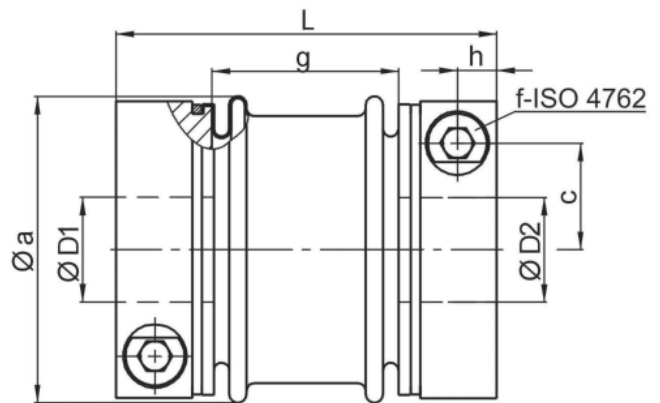
## Technical data:

| KR<br>Size | $T_N$<br>[Nm] | moment<br>of inertia<br>[ $10^{-9} \text{kgm}^2$ ] | torsional<br>stiffness<br>[Nm/arcmin] | max. Shaft<br>displacement (mm) |         | axial<br>spring rate<br>[N/mm] | lateral<br>spring rate<br>[N/mm] | mass<br>approx.<br>[kg] | tightening torque<br>of screws<br>[Nm] |
|------------|---------------|--|---------------------------------------|---------------------------------|---------|--------------------------------|----------------------------------|-------------------------|--|
|            |               |  |                                       | axial $\pm$                     | lateral |                                |                                  |                         |  |
| 25         | 25            | 0,12   | 9                                     | 0,3                             | 0,2     | 150                            | 150                              | 0,3                     | 14                                     |
| 50         | 50            | 0,12   | 10                                    | 0,3                             | 0,2     | 160                            | 170                              | 0,3                     | 14                                     |
| 65         | 65            | 0,25   | 12                                    | 0,3                             | 0,3     | 90                             | 80                               | 0,4                     | 35                                     |
| 100        | 100           | 0,7  | 23                                    | 0,5                             | 0,4     | 100                            | 95                               | 0,75                    | 65                                     |
| 200        | 200           | 0,84   | 30                                    | 0,3                             | 0,3     | 220                            | 120                              | 0,8                     | 65                                     |
| 300        | 300           | 2  | 53                                    | 0,4                             | 0,3     | 210                            | 160                              | 1,3                     | 115                                    |
| 450        | 450           | 2,15   | 80                                    | 0,4                             | 0,3     | 300                            | 260                              | 1,4                     | 115                                    |
| 550        | 550           | 4,2  | 98                                    | 0,5                             | 0,5     | 300                            | 360                              | 2                       | 200                                    |
| 1500       | 1500          | 13   | 280                                   | 0,6                             | 0,5     | 520                            | 490                              | 4,4                     | 290                                    |

Temperature range: -40°C up to +300°C



**Material:** bellows: stainless steel  
hubs: high tensile strength aluminium  
screws: DIN 912 - nickel plated



## Dimensions [mm]: length dimensions according to DIN ISO 2768 cH

| KR   | Øa  | c    | f    | g  | h    | L   | ØD1/2min | ØD1/2max |
|------|-----|------|------|----|------|-----|----------|----------|
| 25   | 56  | 19   | M 6  | 33 | 7,5  | 73  | 10       | 30       |
| 50   | 56  | 19   | M 6  | 33 | 7,5  | 73  | 16       | 30       |
| 65   | 66  | 22   | M 8  | 41 | 8,5  | 85  | 15       | 34       |
| 100  | 82  | 28,5 | M 10 | 50 | 10,5 | 102 | 16       | 43       |
| 200  | 82  | 28,5 | M 10 | 56 | 10,5 | 108 | 22       | 43       |
| 300  | 101 | 35   | M 12 | 65 | 12   | 123 | 28       | 55       |
| 450  | 101 | 35   | M 12 | 65 | 12   | 123 | 35       | 55       |
| 550  | 122 | 43,5 | M 14 | 72 | 13,5 | 136 | 35       | 70       |
| 1500 | 157 | 54   | M 16 | 96 | 19   | 186 | 60       | 89       |

Ordering example: KR 100 - D1 = 35<sup>G7</sup> D2 = 35<sup>G7</sup>