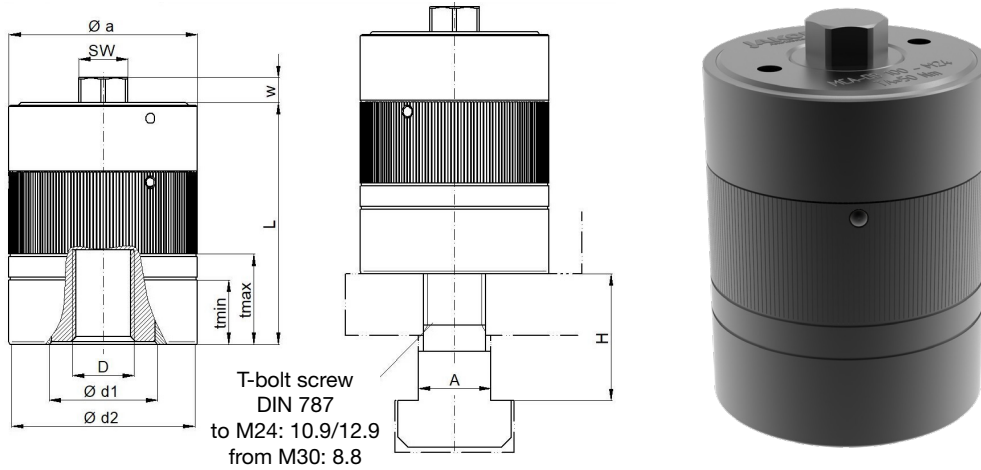


Mechanical Power Clamping Nut I Series MCA-DB

- with integrated torque limiter prevents overloading of the clamping nut
- easy operation with a wrench (no torque wrench required)



Technical data and dimensions [mm]: length dimensions according to DIN ISO 2768 mH

MCA-DB	nominal clamping force [kN]	thread D*	disengaging moment [Nm]**	T-Nut A	max. static load [kN]	weight ca. [kg]	Øa	Ød1	Ød2	L	screw-in-depth t min max	SW	w
60	60	M 12	25	14	70	1,5	66	32	60	72	16 24	17	8
		M 16	30	18	70								
		M 20	35	22	70								
100	100	M 16	40	18	100	2,6	73	42	71	94	25 35	19	10
		M 20	45	22	100								
		M 24	50	28	100								
		M 30	55	36	130								
150	150	M 20	60	22	300	3,5	83	52	81	100	30 40	19	10
		M 24	65	36	300								
		M 36	80	42	300								
		M 42	85	48	300								
200	200	M 36	100	42	400	7,4	120	82	118	110	35 40	21	10
		M 42	105	48	400								
		M 48	110	54	400								
		M 56	115	-	400								
		M 64	125	-	400	6,7							

*property class of threaded bolt up to M 24 min. Q 10.9; from M 30 Q 8.8 (further thread sizes i.e. inches on request)
standard thread tolerance "6G"

** Disengaging moment is set at the factory

Note:

- Follow instructions for MCA
- Power clamping nuts of the MCA series can be retrofitted to the MCA-DB series by the manufacturer

Ordering example clamping nut MCA-DB 150 - M 36
incl. T-bolt screw MCA-DB 150 - M 24 - 100 - 28

series and size

thread size (T-bolt screw thread according to DIN 787)

clamping height (H = 100 mm)

size of T-bolt screw (A = 36 mm)