

Metal Bellows Couplings I Series KG-VA-Ex

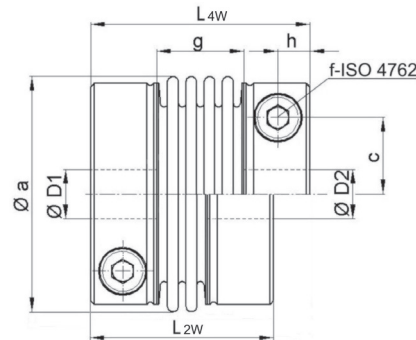
- Stainless steel construction • Wear-free and maintenance-free
- Very short, variable overall length • High torsional stiffness
- Easy-to-install clamping hub • Variable overall lengths - three standard types with 2W/4W/6W metal bellows



technical data:

KG-VA-Ex size	T _N [Nm]	moment of inertia [10 ⁻³ kgm ²]	torsional stiffness [Nm/arcmin]			max. shaft misalignment [mm]						axiale spring rate [N/mm]			lateral spring rate [N/mm]			RPM n _{max} [1/min]
			2W	4W	6W	axial±			lateral			2W	4W	6W	2W	4W	6W	
						2W	4W	6W	2W	4W	6W							
30	15	0,18	16	9	6	0,21	0,24	0,55	0,07	0,14	0,21	130	70	50	2500	450	190	23.000
60	30	0,44	26	14	9	0,21	0,24	0,55	0,07	0,14	0,21	120	70	50	3500	600	260	20.000
100	50	0,74	32	20	13	0,21	0,24	0,7	0,07	0,14	0,21	210	110	80	7000	1200	400	18.000
180	90	1,22	50	28	17	0,28	0,5	0,7	0,07	0,14	0,21	170	95	70	5000	100	470	16.000
280	140	2,6	93	52	47	0,28	0,55	0,7	0,07	0,14	0,21	170	90	95	7000	1300	500	13.000
500	250	6	190	106	68	0,28	0,55	0,7	0,07	0,14	0,21	260	140	100	15000	2800	980	11.000
1000	500	24	400	225	170	0,28	0,5	0,7	0,07	0,14	0,21	310	160	120	13000	2100	920	8.500

temperature range: -20°C up to +100°C
 material: hub: 1.4301, bellows: 1.4571, screw: A4-80



note:

connection between bellows and hub by plasma welding
 Three standard variants with 6-corrugated metal bellows 6W, 4-corrugated metal bellows 4W or 2-corrugated metal bellows 2W

The couplings are supplied with H7 finished bores as standard.
 G6 is recommended for the shaft fit.

Dimensions [mm]: length dimensions according to DIN ISO 2768 cH

KG-VA-Ex size	Ø a [mm]	c [mm]	f-TA [Nm]	g [mm]			h [mm]	L [mm]			mass ca.[kg]	Ø D1/2 (H7) [mm] min	Ø D1/2 (H7) [mm] max
				2W	4W	6W		2W	4W	6W			
30	56	18,5	M6 - 9	14	23	34	7,5	46	55	66	0,5	18,2	28
60	66	22,5	M8 - 24	16	24	35	9	53	61	72	0,9	20,8	35
100	71	25	M8 - 24	15	25	36	9	52	62	73	1,1	31,2	40
180	82	27,5	M10 - 45	18	28	41	11,5	63	73	86	1,5	36,4	42
280	101	32	M12 - 80	19	30	49	12,5	71	82	101	2,4	39	50
500	122	39,5	M14 - 110	22	37	52	15	82	97	112	3,8	54,6	62
1000	157	54	M16 - 180	23	40	56	17,5	94	111	127	8,5	70,2	90

- clamping hubs generally with stainless steel screws A4-80
- check transmission torques of hub-shaft connection for diameters below Dmin (further inquiry possible)
- alternative lengths or hub versions available on request

order example: **KG-VA - Ex 180 / 4W** **D1 = 37^{H7}** **D2 = 41^{H7}**
 KG-VA - Ex 30 / 2W **D1 = 19^{H7}** **D2 = 22^{H7}**