

Miniature Metal Bellows Coupling I Series MKG-VA

- all-stainless steel version up to 350°C • wear and maintenance free
- very short and variable design • torsionally stiff
- simple installation with clamping hub

technical data:

| MKG-VA size | T _N [Nm] | moment of inertia [kgmm ²] | torsional stiffness [Nm/arcmin] | | | max. shaft misalignment [mm] | | | | | | axial spring rate [N/mm] | | | lateral spring rate [N/mm] | | | mass approx. [g] |
|----------------|------------------------|--|---------------------------------------|-----|----|---------------------------------|-----|-----|---------|------|------|--------------------------------|----|----|----------------------------------|-----|-----|------------------------|
| | | | 2W | 4W | 6W | axial ± | | | lateral | | | 2W | 4W | 6W | 2W | 4W | 6W | |
| | | | 2W | 4W | 6W | 2W | 4W | 6W | 2W | 4W | 6W | 2W | 4W | 6W | 2W | 4W | 6W | |
| 1,5 | 1,5 | 1 | - | 0,3 | - | - | 0,3 | - | - | 0,1 | - | - | 34 | - | - | 140 | - | 26 |
| 4 | 4 | 4 | 1,3 | 0,9 | 14 | 0,2 | 0,3 | 0,5 | 0,05 | 0,1 | 0,2 | 135 | 75 | 45 | 2500 | 400 | 140 | 60 |
| 8 | 8 | 19 | 3,3 | 2,1 | 23 | 0,3 | 0,4 | 0,5 | 0,1 | 0,15 | 0,25 | 150 | 85 | 60 | 2300 | 400 | 130 | 140 |
| 15 | 15 | 44 | 6 | 3,4 | 23 | 0,3 | 0,4 | 0,5 | 0,1 | 0,15 | 0,25 | 100 | 55 | 50 | 2100 | 360 | 110 | 220 |

max. operational speed: 20.000 Upm temperature range: -40°C up to +350°C

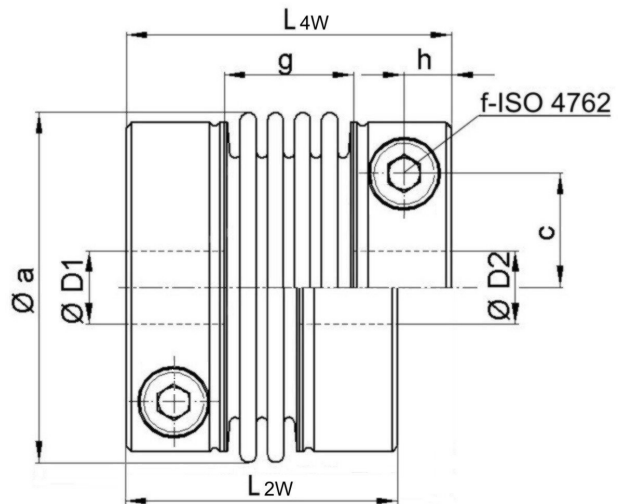
material:

bellows: stainless steel 1.4571 / A4

hubs: 1.4301 / A2

screws: ISO 4762 stainless steel / A4-80

optional: ISO 4762 / 12.9



notes: connection between bellows and hub by plasma welding. Three standard versions with 6-corrugation bellows 6W, 4-corrugation bellows 4W or 2-corrugation bellows 2W. Size 1.5 with 5-corrugated metal bellows.

Dimensions [mm]: length dimensions according to DIN ISO 2768 cH

| MKG-VA | Øa | c | f-TA | g | | | h | L | | | ØD1/2 min | ØD1/2 max |
|--------|----|------|---------------|----|----|----|-----|----|----|----|--------------|--------------|
| | | | | 2W | 4W | 6W | | 2W | 4W | 6W | | |
| 1,5 | 19 | 4,3 | 2xM2,5-1(1,5) | - | 11 | - | 3,3 | - | 29 | - | 3 | 6,35 |
| 4 | 24 | 7,3 | M3-1(2) | 6 | 10 | 14 | 4,5 | 25 | 29 | 33 | 8(5) | 11 |
| 8 | 34 | 10,5 | M4-2,5(4) | 11 | 16 | 23 | 5 | 33 | 38 | 45 | 9(7) | 16 |
| 15 | 40 | 13 | M5-5(8) | 12 | 17 | 23 | 6 | 38 | 43 | 49 | 11(8) | 20 |

- clamping hubs generally with stainless steel screws A4-80 without EASY-pin - mind reduced actuation torques
- check transmission torques of hub-shaft connection for diameters below Dmin (further inquiry possible)
- optional: coated screws of property class 12.9 for higher clamping forces or torques see values in brackets
- alternative lengths or hub versions available on request

| | | | | | |
|----------------|----------------|-----------------------|-----------------------|---|------------------------|
| order example: | MKG-VA 4 / 4W | D1 = 8 ^{G7} | D2 = 11 ^{G7} | - | stainless steel screws |
| | MKG-VA 15 / 2W | D1 = 13 ^{G7} | D2 = 20 ^{G7} | - | screws - 12.9 - coated |
| | MKG-VA 8 / 6W | D1 = 12 ^{G7} | D2 = 16 ^{G7} | - | stainless steel screws |