

Miniature-Metal Bellows Couplings I Series MKP - Ex

- short overall length • with lateral clamping hub



technical data:

MKP - Ex Size	T _N [Nm]	moment of inertia [10 ⁻³ kgm ²]	torsional stiffness [Nm/arcmin]	max. shaft misalignment [mm]		axial spring rate [N/mm]	lateral spring rate [N/mm]	RPM n _{max} [1/min]
				axial±	lateral			
2	1	2,5	0,4	0,21	0,07	32	100	20000
5	2,5	2,8	0,8	0,21	0,07	70	400	20000
7	3,5	12	1,7	0,28	0,105	70	220	20000
8	4	25	2,1	0,35	0,105	20	90	20000
12	6	28	2,6	0,28	0,105	45	190	20000

temperature range: -20°C bis +100°C

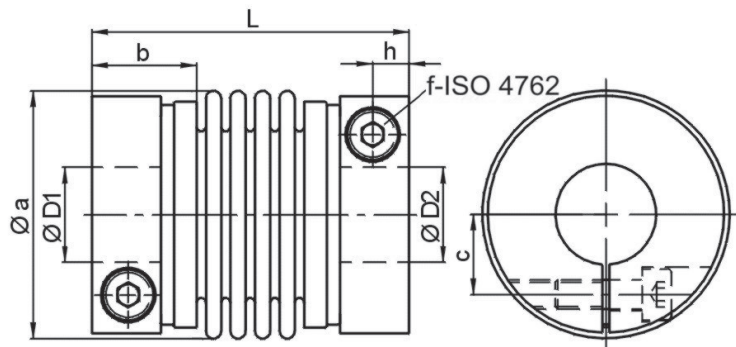
material: bellows: 1.4571 | hubs: 3.1325 | screws: 1.7220 with zinc flake coating | wire: CW508L

Optionally, sizes 2 to 12 can be supplied with EASY clamping hub design.

note:

The couplings are supplied with H7 finished bores as standard.

G6 is recommended for the shaft fit.



dimensions [mm]: length dimensions according to DIN ISO 2768 cH

MKP - Ex	Ø a [mm]	b [mm]	c [mm]	f - TA	h	L ±0,5	mass [kg]	Ø D 1/2 min	Ø D 1/2 max
2	24,5 (27,5)	13	7,5 (9,6)	M 3	4,4	35	0,03	3,9	10 (14)
5	24,5 (27,5)	13	7,5 (9,6)	M 3	4,4	36	0,04	7,8	10 (14)
7	34	14	11	M 4	5	47	0,08	7,8	17
8	40 (44,5)	16,5	13 (15,5)	M 5	6	51	0,125	7,8	19 (24)
12	40 (44,5)	16,5	13 (15,5)	M 5	6	51	0,13	7,8	19 (24)

note: larger bore diameters are possible with special hub design "L" - see bracketed values in the dimension table.

order example: MKP - Ex 12 - D1 = Ø 8^{H7} D2 = 19^{H7}