

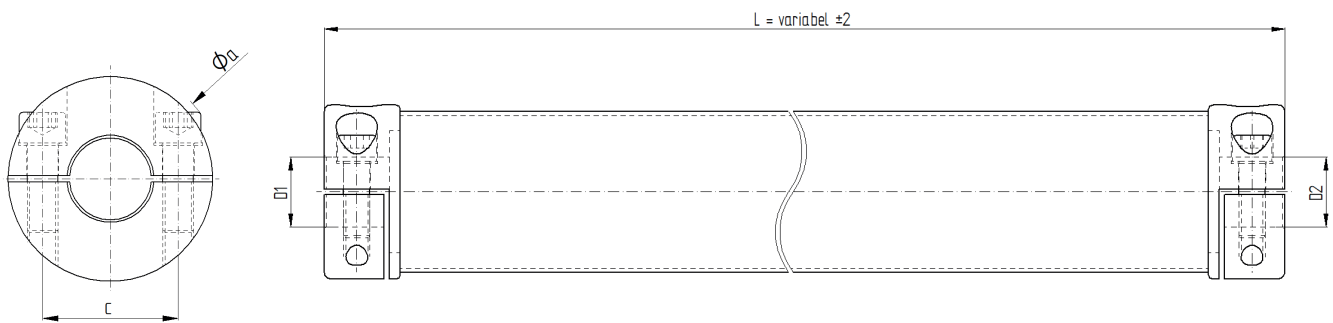
Simple-Flex distance coupling I Series SF

- // variable lengths from 0,5 to 6 m // suitable for high operating speeds
- // very low weight without compensating coupling elements
- // transmission of high torsional moments with small pipe diameter

Dimensions [mm]: length dimensions according to DIN

SF size	Øa	Øb	Øc	e	f-tightening torque	h ₁	h ₂	k	t	ØD1/2 min	ØD1/2 max
SF 40-KF	75	44	62	-	6x M6 - 14 Nm	-	-	40	30	15	38
SF 40-H	96	44	-	70	2x M10 - 65 Nm	13	-	-	24	25	45
SF 70-KF	102	74	84	-	6x M8 - 30 Nm	-	-	46	37	18	55
SF 70-H	119	74	-	90	2x M12 - 115 Nm	15	-	-	28	45	70
SF 125-H	150	129	-	110	4x M16 - 300 Nm	20	42	-	80	46	80

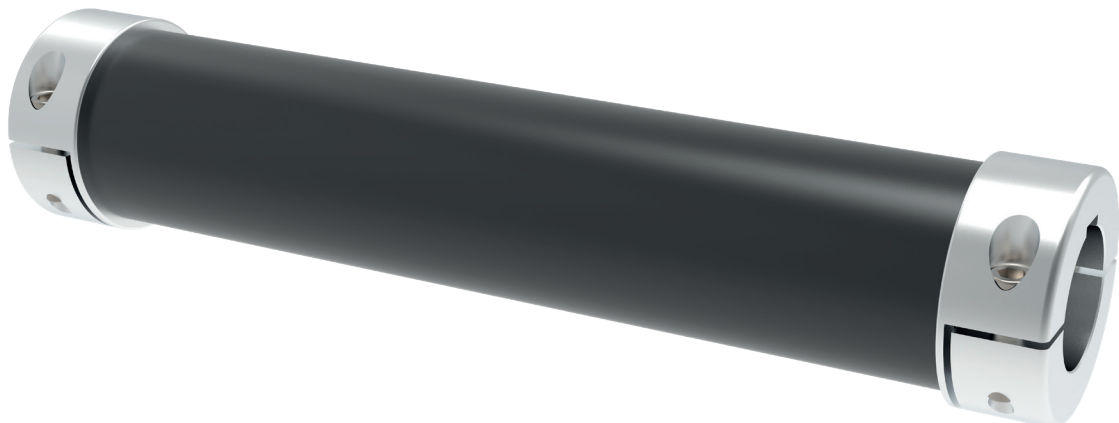
Øa: interfering edge – screw head at half-shell clamping hub



material: hub: high-tensile aluminum intermediate pipe: CFK

max. operating speed:

SF size	max. operating speed [min ⁻¹]					
	1 m	2 m	3 m	4 m	5 m	6 m
SF 40-KF	9000	2000	900	500	300	200
SF 40-H	6500	1500	650	360	230	160
SF 70-KF	15500	3500	1500	850	550	370
SF 70-H	11100	2600	1200	620	400	280
SF 125-H	11300	2600	1100	620	400	280



technical data:

SF size	nominal torque / max. torque [Nm]					
	1 m	2 m	3 m	4 m	5 m	6 m
SF 40-KF	250 / 500	220 / 350	180 / 300	150 / 250	130 / 220	120 / 200
SF 40-H	250 / 500	220 / 350	180 / 300	150 / 250	130 / 220	120 / 200
SF 70-KF	600 / 1000	450 / 700	350 / 500	300 / 500	270 / 450	250 / 400
SF 70-H	600 / 1000	450 / 700	350 / 500	300 / 500	270 / 450	250 / 400
SF 125-H	2900 / 4700	2000 / 3300	1700 / 2700	1500 / 2300	1300 / 2100	1200 / 1900

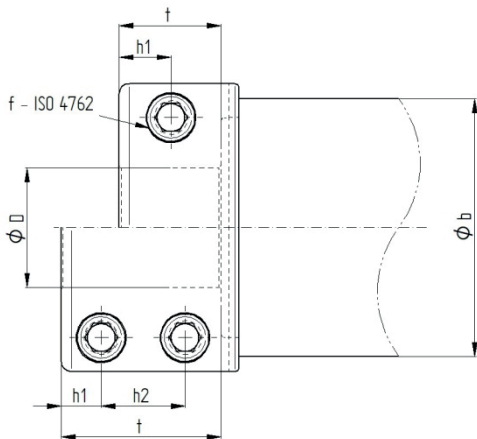
SF size	moment of inertia [10^{-3}kgm^2]						mass [kg]					
	1 m	2 m	3 m	4 m	5 m	6 m	1 m	2 m	3 m	4 m	5 m	6 m
SF 40-KF	1,3	1,5	1,7	1,8	2,0	2,2	1,7	2,1	2,5	2,9	3,3	3,7
SF 40-H	0,7	0,9	1,1	1,2	1,4	1,6	1,1	1,5	1,9	2,3	2,7	3,1
SF 70-KF	6,2	7,1	7,9	8,8	9,7	10,5	3,6	4,3	5,0	5,6	6,3	7,0
SF 70-H	4,0	4,9	5,8	6,7	7,5	8,4	2,2	2,9	3,6	4,3	4,9	5,6
SF 125-H	28,4	33,4	38,4	43,4	48,5	53,5	8,7	10,0	11,2	12,5	13,7	14,9

SF size	torsional stiffness [Nm/arcmin]						max. lateral shaft misalignment [mm]					
	1 m	2 m	3 m	4 m	5 m	6 m	1 m	2 m	3 m	4 m	5 m	6 m
40-KF 40-H	0,65	0,32	0,22	0,16	0,13	0,11	4	15	25	35	45	50
70-KF 70-H	3,32	1,66	1,11	0,83	0,66	0,55	2	8	15	20	25	30
SF 125-H	18,12	9,05	6,05	4,54	3,62	3,02	1	5	10	15	20	25

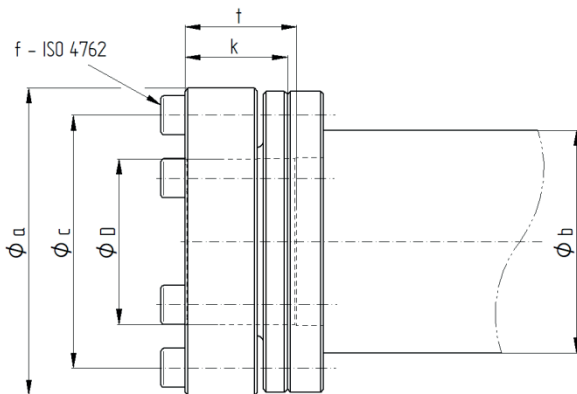
temperature range: -10°C up to +60°C

hub design::

size SF 40-H, SF 70-H



size SF 125-H



Version SF-H: half-shell hub

- easy to assemble with two radial clamping screws
- inexpensive execution
- lowest mass and moments of inertia

Version SF-KF conical clamping ring hub

- excellent balance quality / highest speeds
- high clamping forces for high torques
- rotationally symmetrical construction

order example: SF 70-H; D1 = 28 F6; D2 = 35 F6; L = 3200