

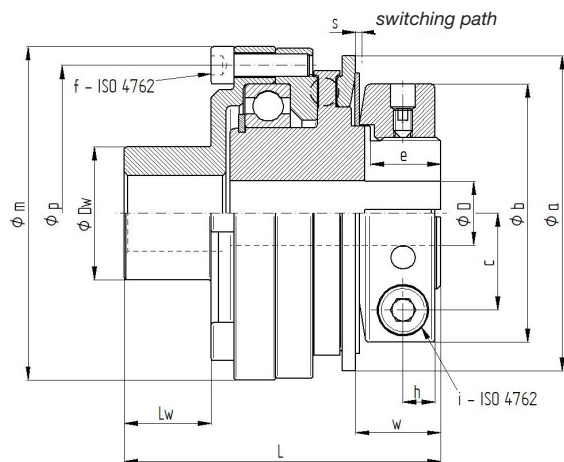
Safety Coupling I Series SKB-WA for direct drives

- with adapter shaft for attaching metal bellows, elastomer and distance couplings
- with integral ball bearing for high axial and lateral loads
- excellent run-out accuracy

technical data:

SKB-WA size	setting range T_{KA} [Nm]	moment of inertia [10 ⁻³ kgm ²]	mass approx. [kg]	tightening torque of screws ISO 4762 [Nm]		bore diameters ϕD			shaft adapter ϕDw
				6 x f	i	min	max	max.bore- ϕ keyway DIN 6885	
1	0,5 - 1	0,05	0,25	M3 - [2]	M5 - [8]	5	14	10	15 h6
2	1 - 2								
6	2 - 6	0,11	0,4	M3 - [2]	M5 - [8]	6	16	12	15 h6
12	6 - 12								
15	8 - 15	0,44	0,9	M4 - [6]	M6 - [16]	10	25,4	20	24 h6
30	13 - 30								
45	22 - 45								
60	25 - 60	1,3	1,7	M6 - [16]	M8 - [35]	18	35	32	35 h6
100	40 - 100								
150	60 - 150								
230	80 - 230	5,2	3,8	M8 - [35]	M10 - [70]	24	44	38	42 h6
330	130 - 330								
500	200 - 500	13,9	7	M8 - [40]	M14 - [200]	28	58	50	50 h6
800	350 - 800								
1000	500 - 1000	78	19	12xM10 - [65]	2xM16 - [250]	42	100	90	65 h6
2000	800 - 2000								

temperature range: -30°C up to +150°C



material:

Safety coupling: heat-treated steel

Shaft adapter: High-tensile aluminum

Dimensions [mm]: length dimensions according to DIN ISO 2768 cH

SKB-WA	ϕa	ϕb	c	e	ϕm	ϕp	h	L	L_w	w	s
1/2	42	38,5	13,5	13,5	41	35	6	51,5	15	14,6	0,8
6/12	48	38,5	13,5	13	52,5	47	6	60	16	15,8	0,9
15/30/45	66	53	19,5	15,5	69	62	7,5	72,5	20	18,5	1,2
60/100/150	83	68	25,5	18,5	88	78	8,5	83,5	23	22,4	1,6
230/330	109	87	32	21	116	102	10,5	107,5	28	26,6	1,8
500/800	132	115	42	29	137	124	13,5	129	34	37,1	2,5
1000/2000	185	172	69	77	181	165	17/30	178	45	74,4	3,7

order example: SKB-WA 60 - D = 22^{G6} - DW = 35^{h6} - T_{KA} = 40 Nm