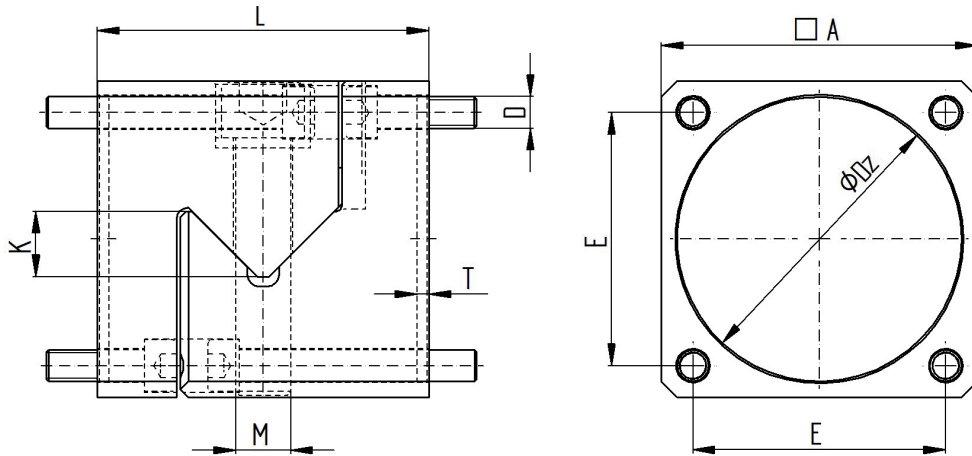


Sectional Rail Coupling I Type PKP

vertical linear coupling for automatic clamping - aluminum version

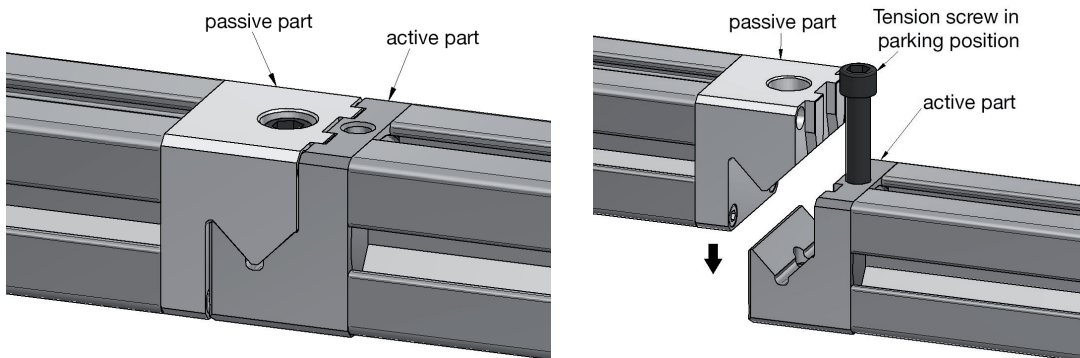


Technical data and dimensions [mm]: measure of length according to DIN ISO 2768 mH

Type	operating forces			mass [kg]	clamping thread M - TA [Nm]	couple distance K	dimensions [mm]					
	max. axial force [kN]	max. lateral force [kN]	bending moment [Nm]				Vkt	length L	depth T	ØDz	bore pattern 4xD	E
PKP 80x80	35	35	1.600	1,6	M14 - 150	17	80	84	3	72	M8	64
PKP 100x100	50	50	3.200	2,9	M16 - 200	20	100	99	4	90	M10	80
PKP 120x120	70	70	5.000	4,6	M18 - 250	20	120	108	4,5	100	M12	96
PKP 140x140	80	80	8.000	8,0	2x M16 - 200	30	140	137	5	100	M14	112
PKP 160x160	100	100	12.000	11	2x M18 - 250	30	160	145	6	120	M16	130
PKP 180x180	120	120	14.000	16	2x M20 - 300	30	180	160	6	140	M20	140
PKP 200x200	140	140	16.000	20,5	2x M20 - 300	40	200	170	6	160	M20	160

material

Profile flanges: high-strength aluminum - hard anodised, Cylinder screws: ISO 4762 - 12.9



update version

order example:

sectional rail coupling

PKP - 120 x 120 - active part

Type PKP - manual clamping

Size 120 x 120 - sectional profile

active part / passive part