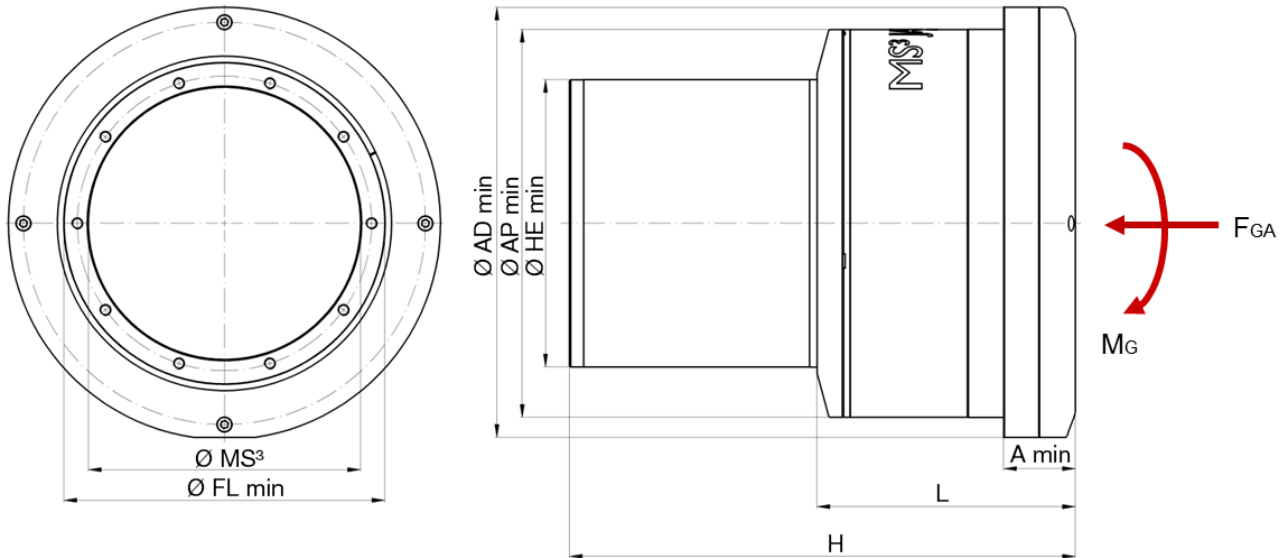


Motor Spindle Safety System I Series MS³

- /// Adjustments to your machine possible
- /// Detects tool collisions
- /// Energy self-sufficient
- /// Protects against spindle damage
- /// Increases machine availability
- /// Offers complete all-round protection
- /// High rigidity and holding force thanks to permanent holding magnets



Technical data and dimensions [mm]: Length dimensions according to DIN ISO 2768 mH

Parameter	Symbol / Unit	Interface DIN 68 893-1 A63				
Motor spindle fit	Ø MSP [mm]	170	190	210	230	270
Headstock fit	Ø AP [mm]	250	270	290	310	350
Flange outside diameter	Ø AD [mm]	280	300	320	340	380
Length	A min [mm]	55	55	55	55	55
Axial Stroke	h [mm]	10-25				
Swivel angle	α [°]	4				
Axial limit holding force	F _{GA} [N]	10.000 - 30.000				
Limit bending moment	M _G [N]	2.000 - 5.000				
System weight	m [kg]	20-35				

Subject to change, application-specific drawing on request. Please contact us for the precise adjustment of the MS³ to your machine at +49 (0) 6022 2208-0 or at the e-mail address info@jakobantriebstechnik.de.

